

PRODUCT NUMBER  
98423-X61-XXXLF

PLATING

S = 0.38µm GOLD/GXT ON CONTACT AREA  
3.81µm TIN LEAD ON TAIL

G = 0.76µm GOLD/GXT ON CONTACT AREA  
3.81µm TIN LEAD ON TAIL

F = GOLD FASH ON CONTACT AREA  
3.81µm TIN LEAD ON TAIL

WHEN REQUIRED, ADD SUFFIX LETTER "LF" INDICATES THE PRODUCT IS RoHS COMPATIBLE, SEE NOTE 6

PACKAGING OPTIONAL LETTER (SEE NOTE 5)

NB OF POSITIONS PER ROW  
02 TO 25 POS

NOTES:

1. MATERIAL HOUSING: HIGH TEMP. THERMOPLASTIC UL 94V-0, COLOR BLACK
2. MATERIAL TERMINAL: COPPER ALLOY
3. TO DETERMINE DIMENSIONS:  
N = NUMBER OF POSITIONS PER ROW

4. 7N MIN. PIN RETENTION IN EITHER DIRECTION.

5. PACKAGING:

- = PLASTIC BOX
- U = TUBE AVAILABLE FROM 06 TO 50 POS

6. RoHS COMPATIBLE PRODUCT SPECIFICATIONS

a - PLATING:

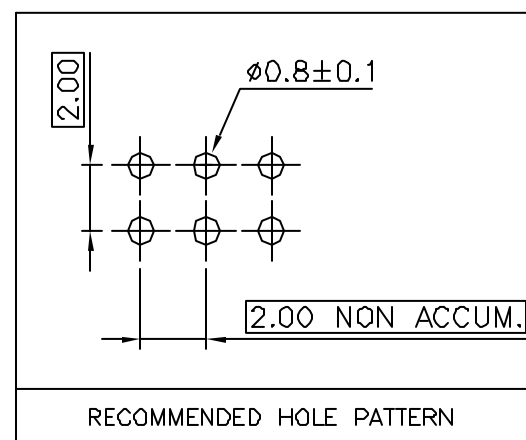
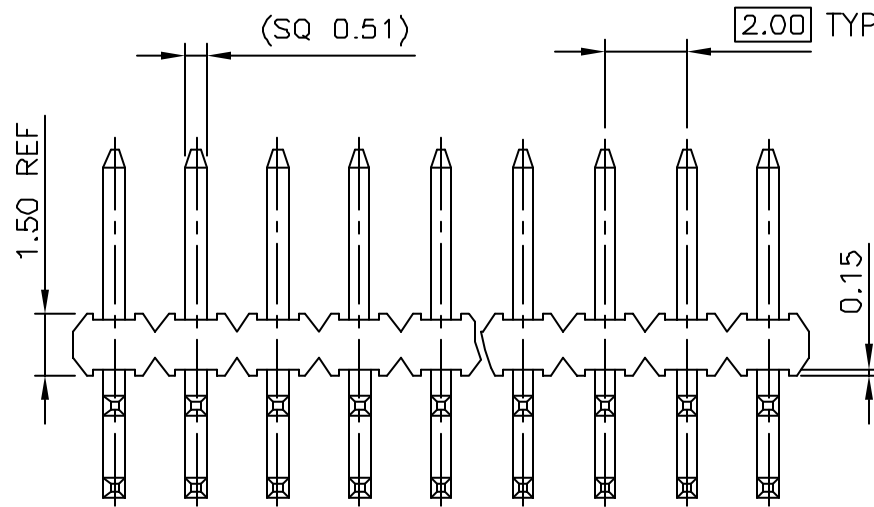
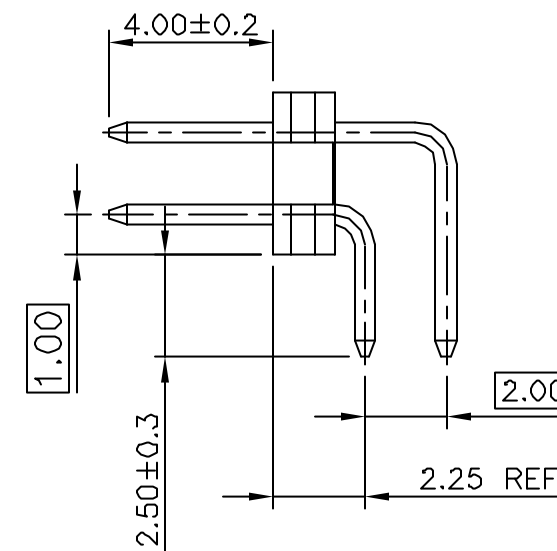
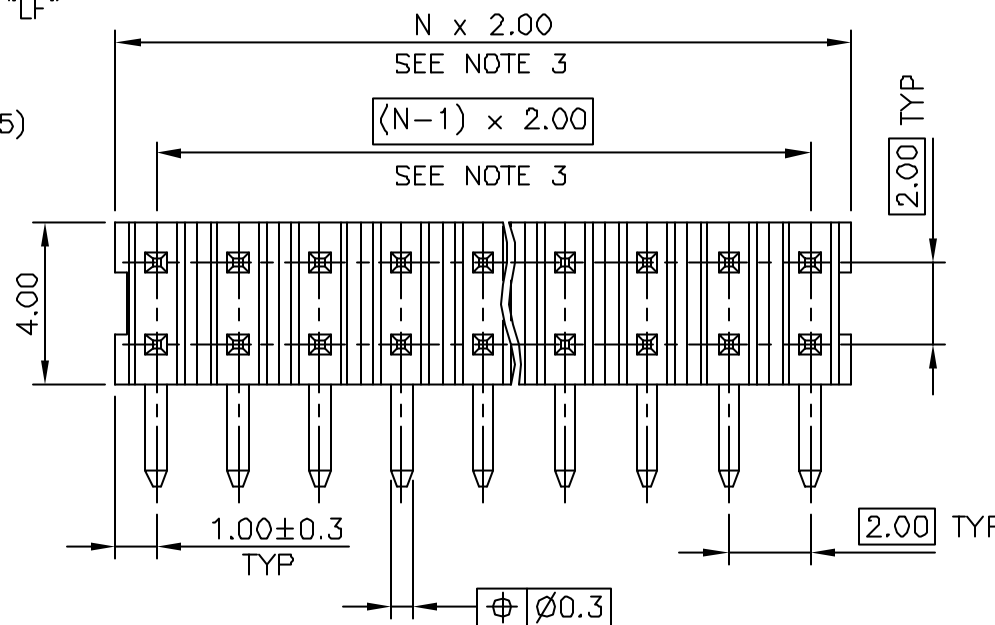
- "LF" MEANS THE PRODUCT IS LEAD-FREE, 2µm MINIMUM MATTE TIN OVER 1.27µm MINIMUM NICKEL UNDERPLATE.

b - MANUFACTURING PROCESS COMPATIBILITY

- THE HOUSING WILL WITHSTAND EXPOSURE TO 260°C ±5°C SOLDER BATH TEMPERATURE FOR 5 SECONDS IN A WAVE SOLDER APPLICATION WITH A 1.6mm MIN THICK CIRCUIT BOARD.

c - LABELLING:

- MEETS PACKAGING SPECS AS PER GS-14-920
- THIS PRODUCT MEETS EUROPEAN DIRECTIVES AND OTHER COUNTRY REGULATIONS AS DISCRIBED IN GS-22-008.



mat'l. code				surface	tolerance	projection	product family	
				ISO 1302 ✓	ISO 406 ISO 1101		MINITEK	
ltr				tolerances unless otherwise specified		title		
A	F10338	LMU	03.10.01	angles	X ±0.3	UNSHR HEADER		
B	F04-0351	JCO	05.01.13	Linear	X.X ±0.13	RIGHT ANGLE TMT		
C	F06-0210	LMU	06.07.05		X.XX ±0.05	scale 1:1		
D	F08-0145	ELA	17.04.08	dr	L MULIN 04.09.28	dwg no		
				engr	J COMPAGNON 04.09.28	sheet 1 of 1		
				chr		size		
				appd	JM.C 04.09.28	A3		
sheet index				revision sheet		type		
						CUSTOMER Drawing		



Copyright FCJ